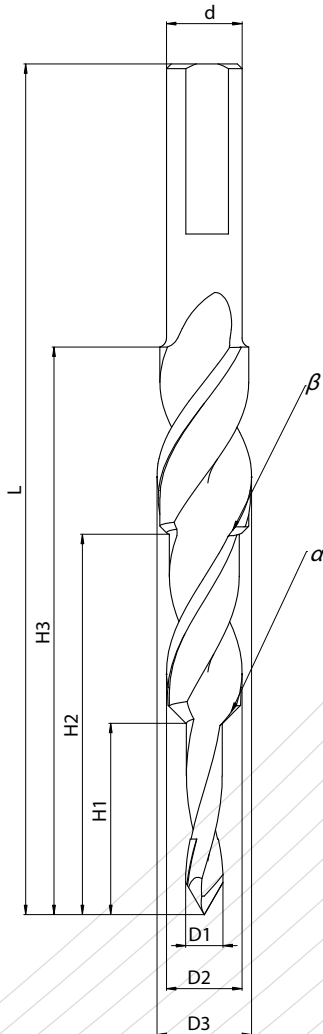


## Monolith stepped drills



## Monolith stepped drills with increased life

Stepped drills are made entirely from carbide, without regulation screw in the shank, on individual customer's request.

### We can manufacture stepped drills:

- dowel or through type
- with various  $\alpha$  and  $\beta$  angles
- with or without the flat part in the shank.

### Materials:

- Chipboard.
- MDF.
- Glued wood.

