



# Preziss diamant corporate



global tool partner



A family company with more than 40 years of experience dedicated to the manufacturing of precision tools. Offering a wide range of innovations from the initial project development to the overall tool management.

## AEROSPACE

## AUTOMOTIVE

high precision tooling

engineering

## WOODWORKING

Advanced Diamond

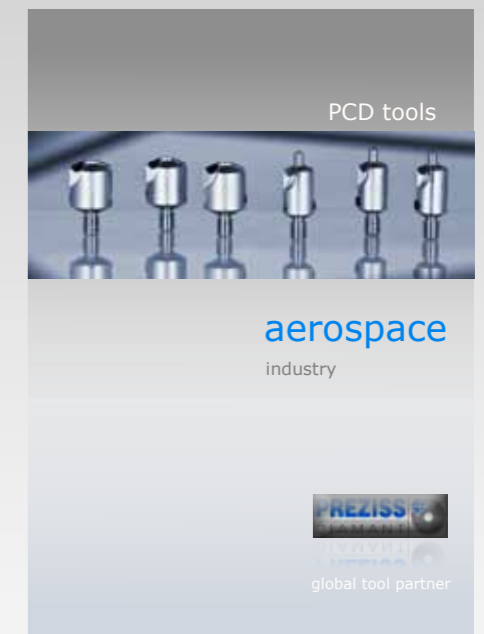
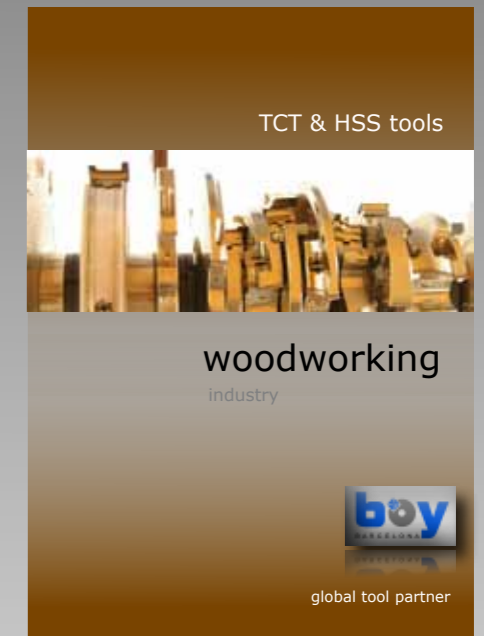
Tool management

TCT tools

tools service

PCD tools

company profile  
facilities  
innovation  
tool management



## company profile.

### mission & vision.

A family company with more than 40 years of experience dedicated to the manufacturing of precision tools, offering a wide range of innovations from the initial project development to the overall tool management.

Involved in the machining processes and offering engineered solutions for the woodworking, metal-working and aerospace industry sectors.

Initially, the company based its activities in the production and service of conventional carbide tools.

Later and coinciding with the introduction of the polycrystalline diamond (PCD) in the market as a new edge material for cutting, Preziss Diamant decided to incorporate this technology into its production process and investigate the properties and possibilities of this new material.

After 40 years experience and thanks to investment in research and development, equipment and training of our work team for using this technology, we are to produce the most advanced PCD tools available, some of which now hold exclusive worldwide patents.

The future begins today with new projects in research and development with the aim to offer new advanced tooling solutions that helps end users to reach new challenges.



## Vision

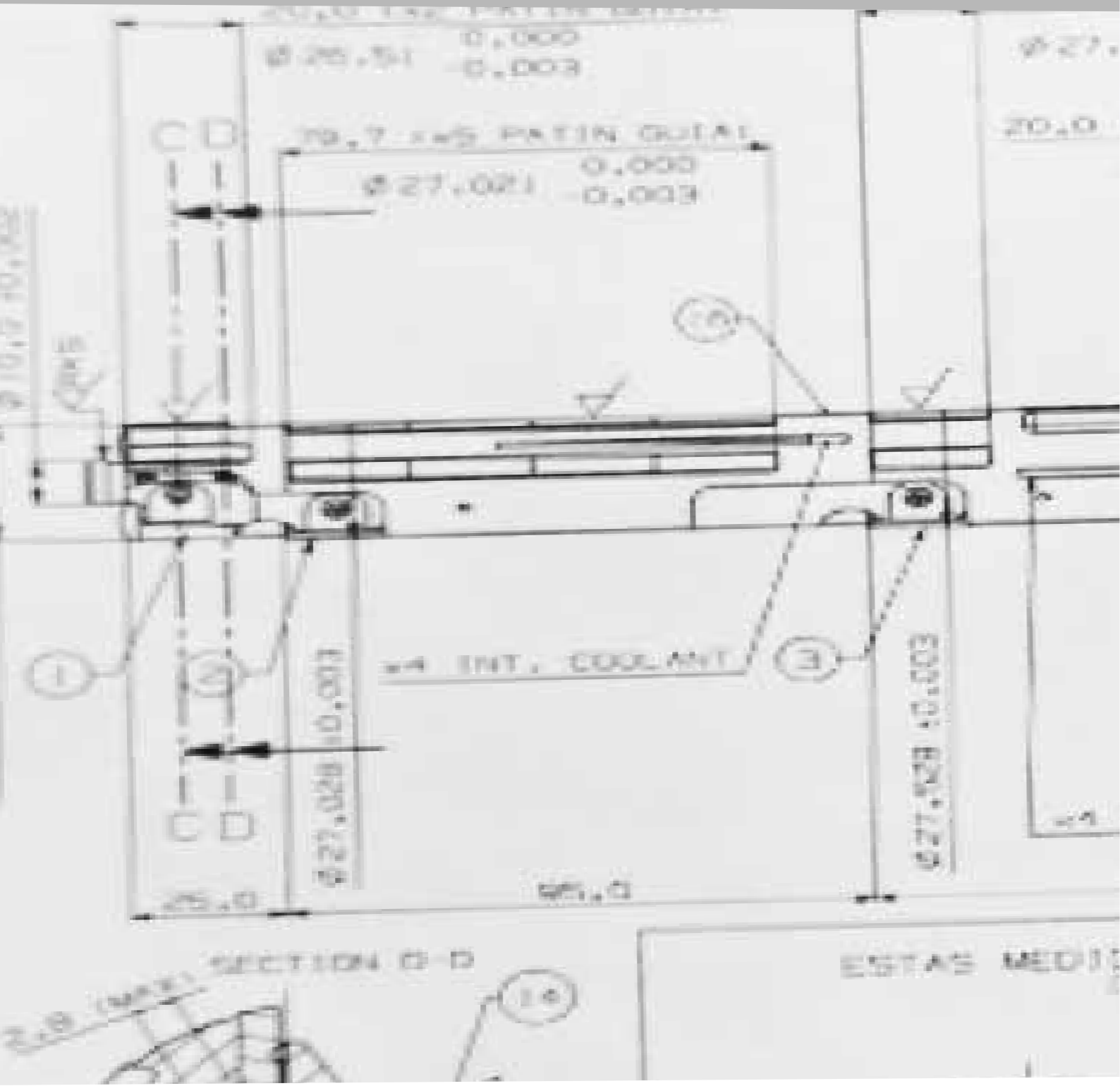
-first national company and an international reference in the manufacturing of high precision cutting tool solutions for the woodworking and the metal-working industries.

## Mission

-A family company with international presence offering a wide range of standard tool solutions as well as special innovative tools for the high precision machining processes in the woodworking industry and the metal-working industry, focused to offer the highest quality with the commitment to fulfil deliveries.



Engineering precision tools.  
innovation & technology



# Preziss Diamant

engineered PCD tools.

The Catalan company H.Preziss with more than 40 years of experience in the production of PCD and special tool solutions, has become a perfect global tool partner for tooling solutions offering a complete range of tools for the metal-working, woodworking and aerospace industry.

We strive to produce highly technological PCD and special tools to reduce the costs by advising the best tool for every application and reducing down times.

Therefore, Preziss will always help you to optimize your machining process and reduce your costs considerably.

*Knowledge and decades of experience in helping our customers, contributing to transfer integral solutions.*

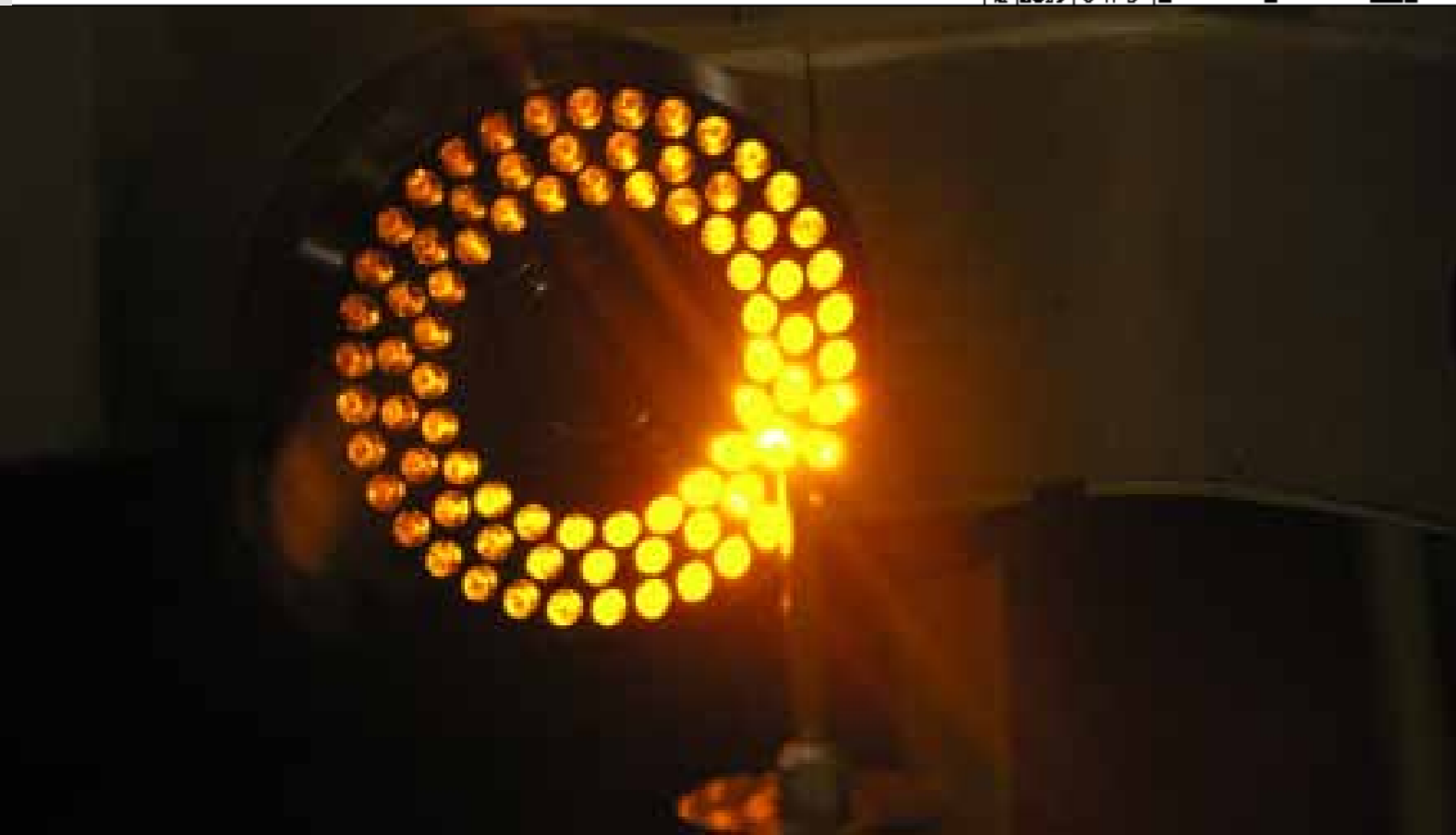
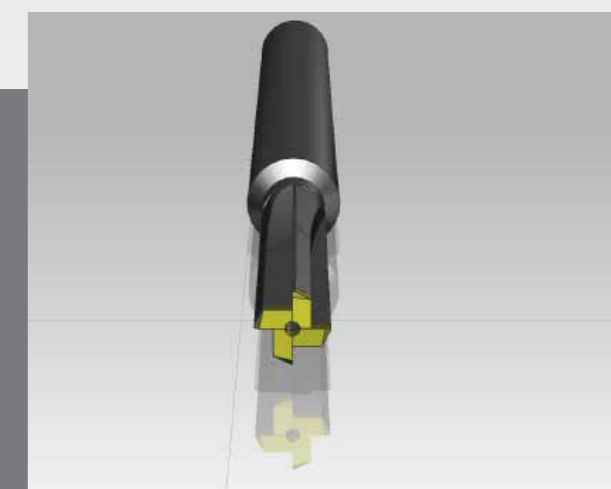
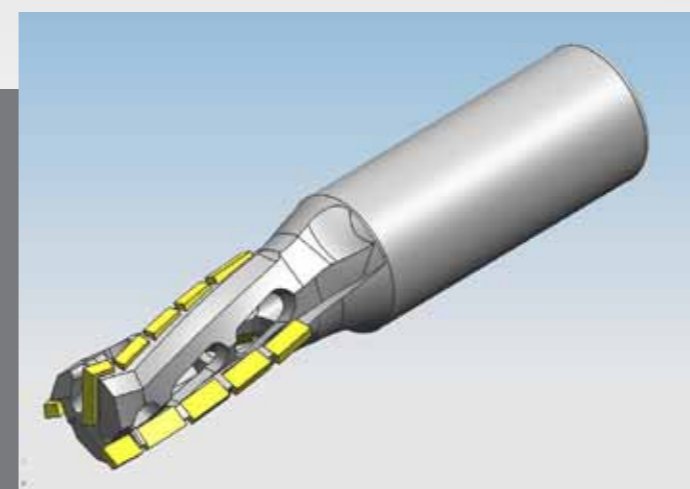
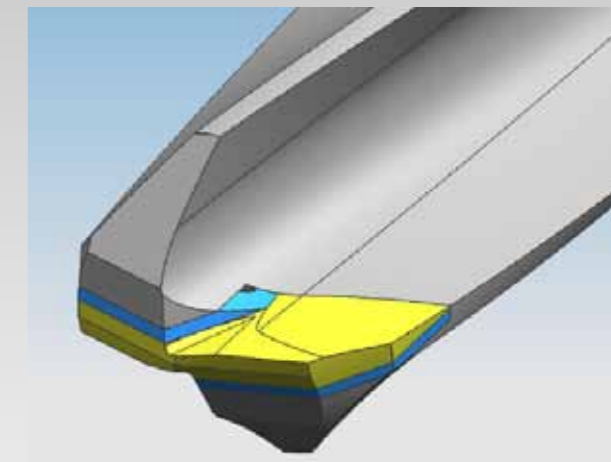
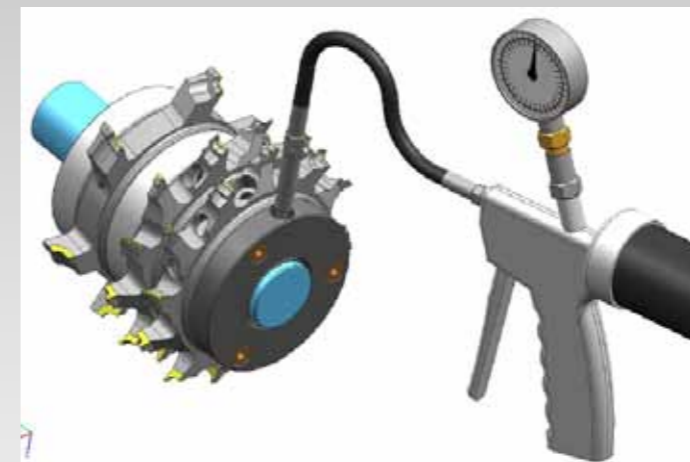
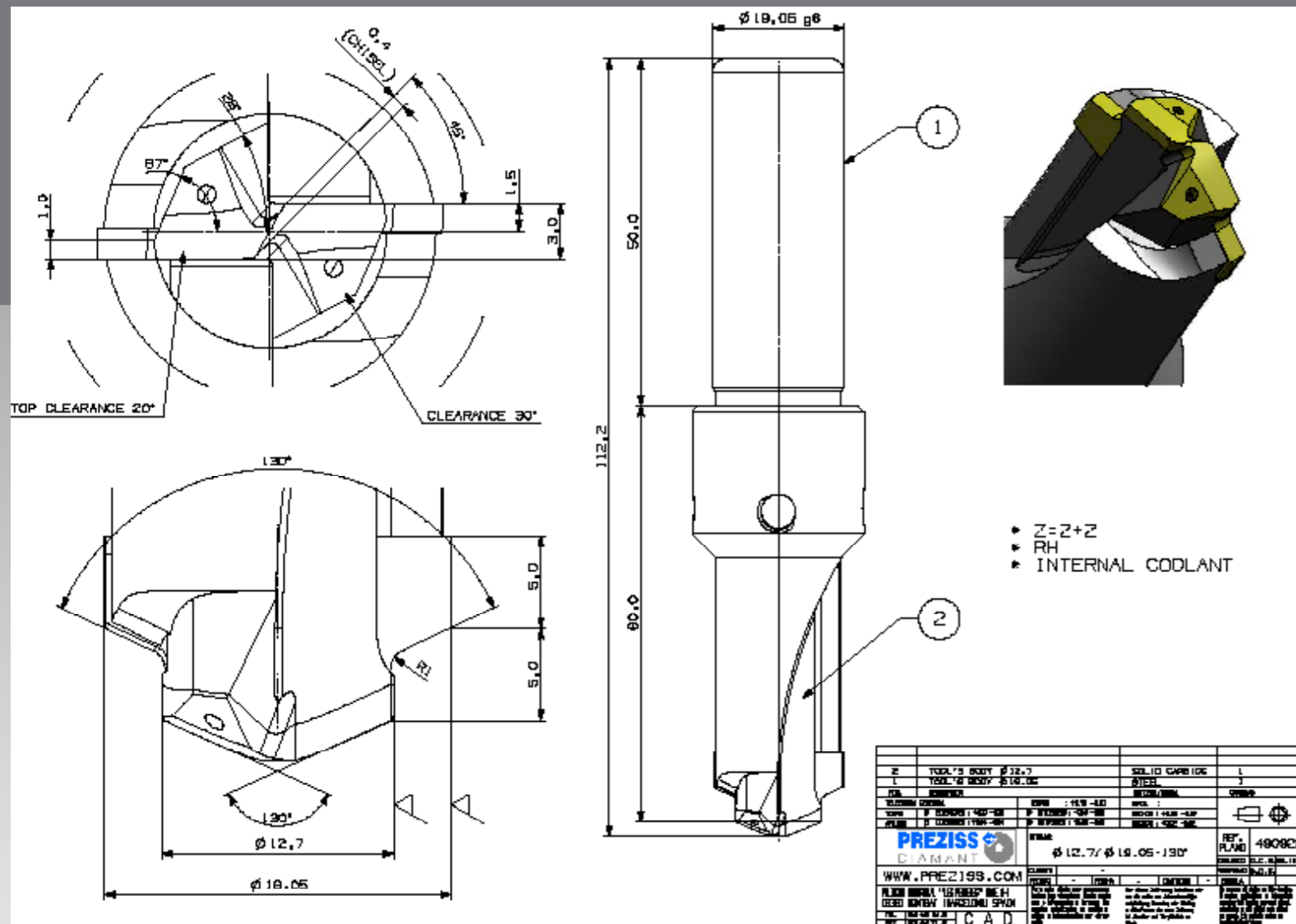


# Preziss Diamant engineered PCD tools.

## innovation

We like working close to our customers to find out, at first hand their worries and needs and be able to transfer our ideas and know-how and help them to innovate with specific state of the art tooling solutions. Our aim is to involve customer in the development of new ideas by imputing his machining knowledge and personal experiences.

*New ideas are developed every day ...*





# Preziss Diamant

engineered PCD tools.

## technology

Preziss Diamant is continuously investing in new equipment and technology allowing the company to offer its customers better quality and solutions. We work closely with our suppliers to develop better and more technologically advanced products and machines to fulfil with our customer needs, better and faster.



*Today Preziss Diamant is one of the most modern tooling facilities in Europe.*





# Preziss Diamant

engineered PCD tools.

new PCD and TCT tools.

Preziss Diamant specialises in manufacturing a complete range of PCD tools (polycrystalline diamond), PCBN tools and TCT tools as well as replaceable knives tools for windows or ISO elements and sliding cartridges, special solid carbide tools, from a small drill bit to complete machining line.

- PCD and TCT tools for the metal working industry. Reamers, drill bits, special tools and ISO elements.
- PCD and TCT special tools for woodworking industry. profile tools, flooring sets, saw blades, drill bits, shank router cutters, edge trimming cutters and compact hoggers.
- PCD and TCT sinking and drilling technology for the aerospace sector.



# Preziss Diamant

engineered PCD tools.

## Advantages

for every component and every material, Preziss Diamant have the right tool solution. We offer PCD and solid carbide cutting materials and tooling solutions according to the new production challenges. benefits are:

- Less production down time.
- shorter cycles production times due to the significantly increased in cutting speeds and feed rates.
- increased dimensional accuracy and process reliability.
- high quality finish.
- tool optimisation and better cost effectiveness thanks to a combination of multiple operations in one tool reducing machine costs.
- modern regrinding and reconditioning tool service.
- years of experience.

*Preziss Diamant is synonymous of high quality with 40 years experience in the production of precision tools for many different applications and fields.*





# Preziss Diamant

SERVICE.

re-conditioning & service.  
fast and easy

with the same idea of reducing costs, we offer a full service program based on re-newing the tools by using the same Production process used for new tools. the result is that serviced tools are delivered again to the customer as if they were new tools always keeping constant tool dimensions and geometries. it gives the opportunity to the end user to concentrate on his work.



DE-BRAZING & BODY  
RE-ACONDITIONING



NEW PCD TIPS BRAZING



FINAL GRINDING

*A modern tool repair management guarantees the reliability of the production cells against unforeseen events.*





# Preziss Diamant SERVICE.

WOODWORKING TOOLS

METAL WORKING TOOLS

TOOLS FOR AEROSPACE INDUSTRY

KNIVES AND WINDOW TECHNOLOGY

STANDARD TOOLS

express tool management  
flexible & cost efficient.

Preziss Diamant offers the **TFC** trouble free consignment stock system based on a contract "customer-Preziss" to avoid the stopping of production.

TFC express tool management refers to new tools, designed and produced in the Preziss facility that are on contract for an amount and period during which time they are repaired and kept in stock.



# PEOPLE. our work force value.

Years of experience makes our work team the best value and guaranty of quality of our company and ensures a continuous development of our knowledge, know-how and technology progress.



# A GLOBAL TOOL PARTNER from Barcelona to the world.

A worldwide partner network offers  
a quality technical support to help you and advise  
you to improve your requirements and needs.

We are always close to you.  
We are where you are.



Barcelona city





global tool partner

herramientas Preziss S.L.  
PREZISS DIAMANT

polígono industrial "Les Pedreres" nave A-1, riera de Sant Jordi  
08390 Montgat - Barcelona (Spain)

tel.: 34 93 469 03 51 fax: 34 93 320 39 03 e-mail: [preziss@preziss.com](mailto:preziss@preziss.com)  
[www.preziss.com](http://www.preziss.com)



global tool partner