



TwinControl

ELECTRONIC 2K MIXING SYSTEM



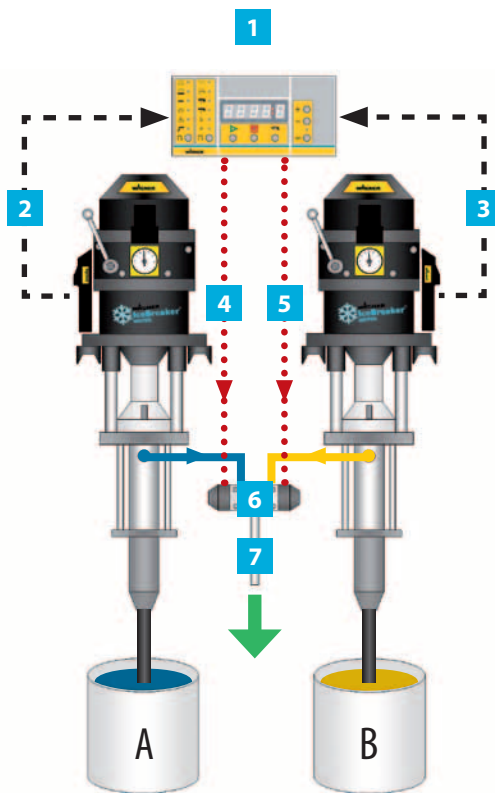
- User-friendly
- High reliability
- Fast amortization

TwinControl - New 2K solution from WAGNER

WAGNER: expertise in 2K

With the TwinControl, WAGNER offers a unique entry solution for 2K applications. The portable TwinControl is an economical, compact and easy-to-use system for a wide range of demands, including high viscosity material applications and high delivery rates.

The external Magnetic Stroke Meter is an effective alternative to gear flow meters and allows mixing ratios up to 20:1 with a high $\pm 2\%$ precision. As a result, TwinControl is the perfect solution to mixing and applying 2K materials in the wood, plastic and metal industries, especially for protective coating requirements.



Note: Flushing pump not shown in the scheme

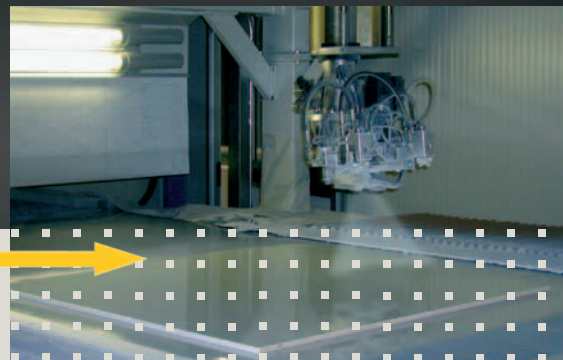
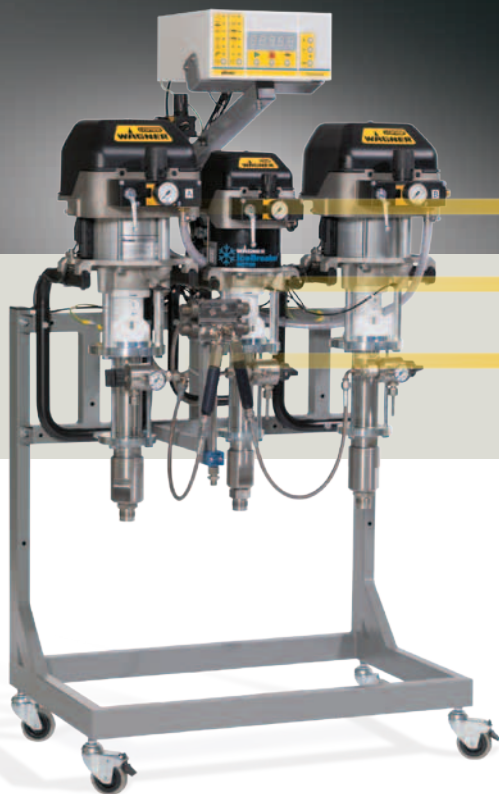
The working scheme

Two IceBreaker® piston pumps supply the base (A) and the hardener (B). The stroke meters measure the quantity of the A and B materials delivered and send a signal to the electronic control box. The system automatically controls an injection valve, which doses the B component in the requested proportion according to the mixing ratio.

- 1 Electronic control box
- 2 Electric signal from stroke meter A
- 3 Electric signal from stroke meter B
- 4 Pneumatic signal to valve A
- 5 Pneumatic signal to valve B (injection)
- 6 Valves A and B
- 7 Static mixer

Great advantages

TwinControl: the simple way to mix 2K



USER-FRIENDLY

TwinControl will show you how easy it is to handle 2K materials. Connect the unit, set the main parameters, push the Start button - and start working!

HIGH RELIABILITY

TwinControl is perfect even for critical applications such as abrasive materials, reactive paints, high viscosity materials and high delivery rates.

The special software prevents off-ratio spraying and controls all working parameters to ensure a consistent and precise mixing quality.

FAST AMORTIZATION

- No reworks or rejects due to off-ratio spraying
- No mixed material left unused. Mix only what is required
- Reduction in time for manual cleaning and mixing procedures
- Increase in productivity
- Substantial reduction in paint waste and solvent consumption
- Reduced maintenance
- Material consumption monitoring

Easy to install, easy to use

TwinControl: innovative solutions

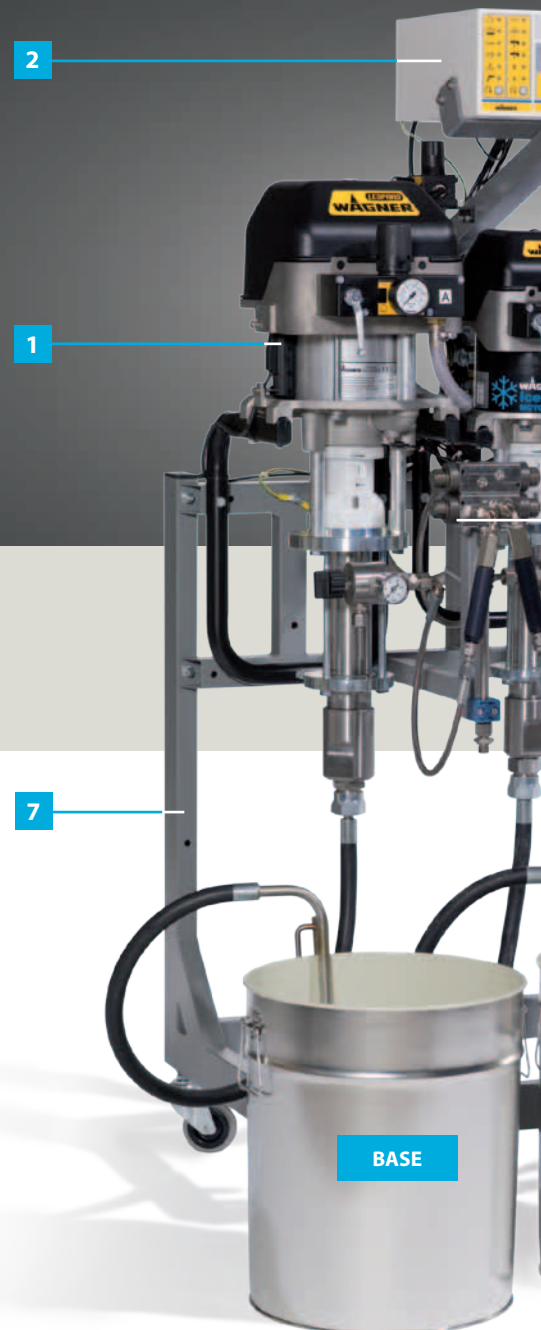
TwinControl is designed to improve your daily workflow. The unit combines innovative components like the Magnetic Stroke Meter with the superior WAGNER IceBreaker® pumps*.

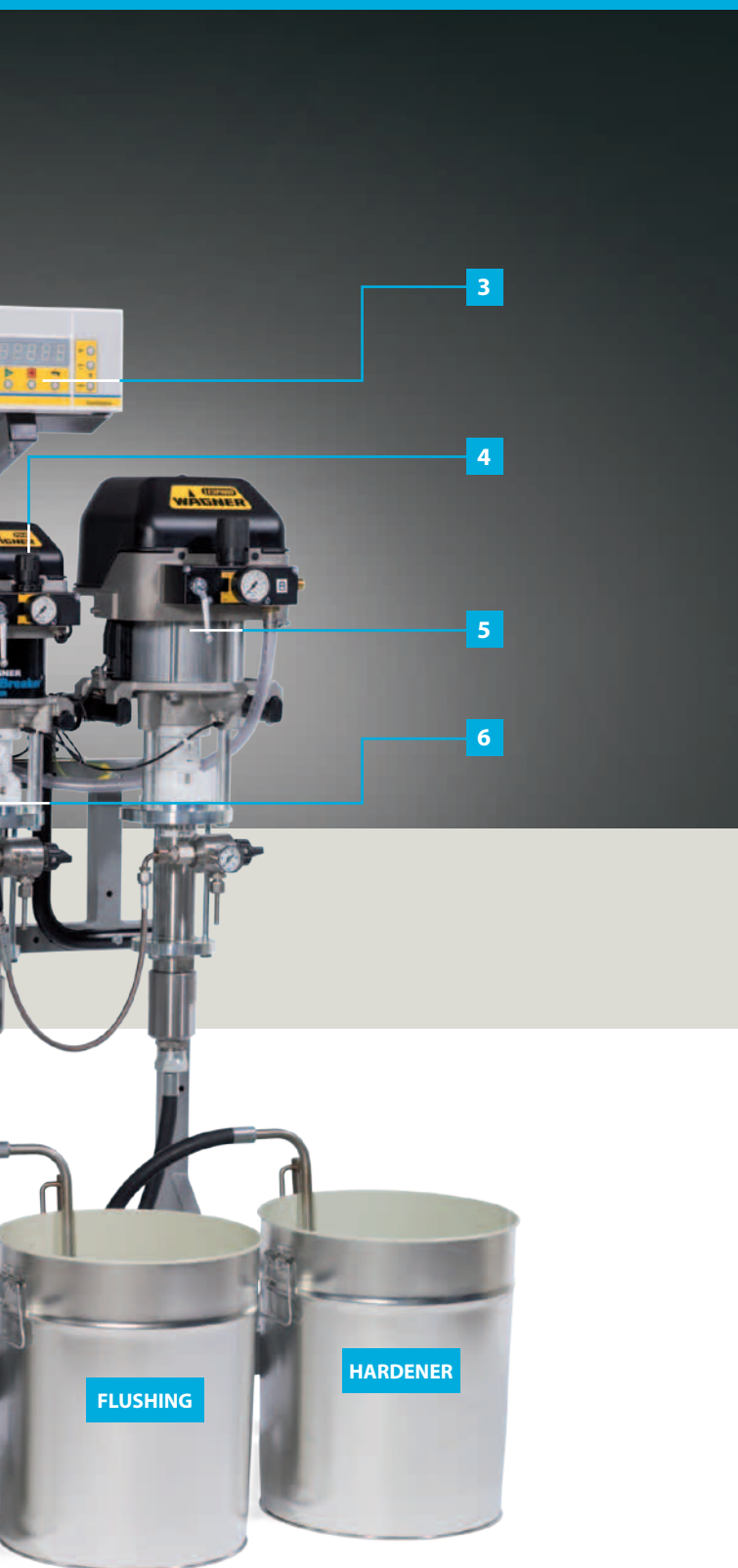
- 1 The patented Magnetic Stroke Meter ensures high reliability even with high viscosity materials and high delivery rates.
- 2 All the working parameters – mixing ratio, flushing procedures, pot life time – are intuitively adjustable using simple icon buttons on the control box.
- 3 User-friendly and “language-neutral” control panel: only three buttons (Start – Stop – Flushing) are needed on a daily basis!

WAGNER
Magnetic
Stroke Meter

- 4 Automatic flushing process: just press a button to clean the mixer, hose and gun. Easy and fast operation.
- 5 The powerful IceBreaker® piston pumps ensure high performance and reliability. The patented air motors do not suffer from icing problems and ensure smooth operation without interruptions. Special anti-abrasion materials guarantee a long fluid section life.
- 6 Mixing block: specifically designed to minimize the volume and improve flush efficiency and mixture homogeneity.
- 7 TwinControl units are available on wall brackets, a stand or a heavy-duty trolley to meet all customer requirements.

* Low pressure versions are equipped with the EvoMotion 5-60 stainless steel pumps.

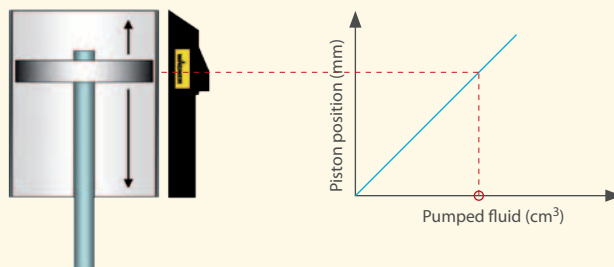




High precision flow measuring

Magnetic Stroke Meter

In all piston pumps the delivered fluid is precisely metered by the piston motion. The patented Magnetic Stroke Meter detects the exact position of the piston and passes the information to the electronic box, which automatically calculates the instant flow rate value.



GREAT ADVANTAGES

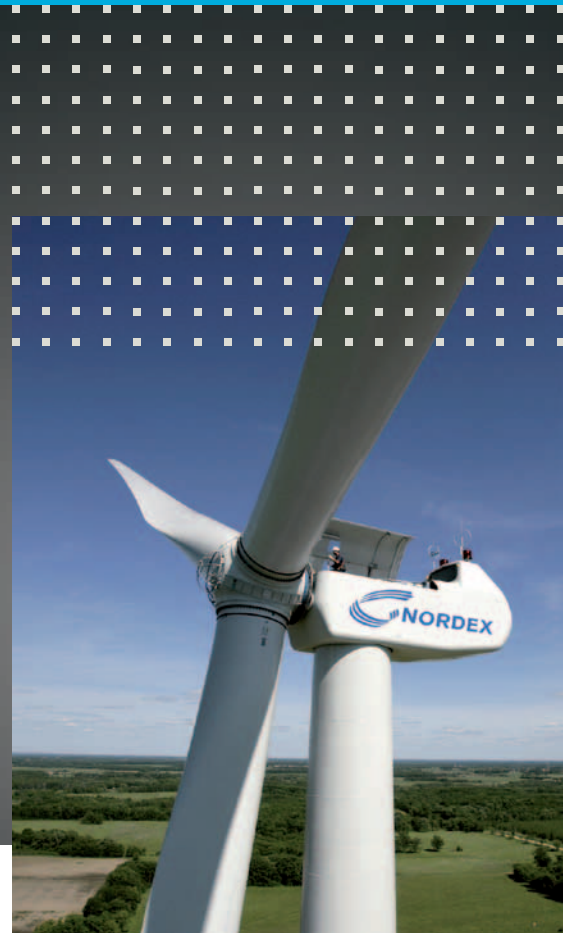
- Specifically developed by WAGNER for high precision flow metering.
- The stroke meter is mounted outside of the pump. No contact with the fluid, no wear during operation.
- High reliability, easy maintenance.
- Pump malfunctions can be detected: leakages, cavitation, irregular strokes.

A complete range to fit application needs

Main functions

- Real time mixing control with off-ratio alarm
- Pot-life monitoring with alarm
- Automatic flushing process
- Real time delivery rate display
- Mixing accuracy display
- Material consumption monitoring
- Pump diagnosis system: pre-alarm and alarm in case of pump malfunction
- Gun Flush Box connection optional

All the working parameters can be set directly on the control panel. A 3-level password prevents unauthorized personnel from monitoring sensitive data.



TwinControl 75-150 / 75-150 on stand



TwinControl 48-110 / 48-110 on heavy duty trolley with paint heaters (optional)



TwinControl 5-60 / 5-60 on stand

The right TwinControl for your purpose

Select your TwinControl

With delivery rates from 1.2 l/min to 18 l/min and operating pressures from 8 to 530 bar, TwinControl is suitable for AirSpray, AirCoat and Airless application of 2K water- and solvent-based materials in metal, wood and general protective coating processes.

Models with air supply only (turbine version) are available for hazardous areas. Versions with electrical supply are suitable for non-hazardous applications.



TwinControl selection chart

TwinControl

Pump A	Pump B	Mixing ratio	Max working pressure	Flow rate at 1:1 mix ratio	Flow rate at 4:1 mix ratio	Flow rate at 10:1 mix ratio	Flow rate at 20:1 mix ratio
5-60	5-60	0.1:1 - 20:1	40 bar	3.6 l/min	2.3 l/min	2.0 l/min	1.9 l/min
18-40	18-40	0.1:1 - 20:1	144 bar	2.4 l/min	1.5 l/min	1.3 l/min	1.2 l/min
28-40	28-40	0.1:1 - 20:1	224 bar	2.4 l/min	1.5 l/min	1.3 l/min	1.2 l/min
35-70	35-70	0.1:1 - 20:1	250 bar	4,2 l/min	2.6 l/min	2.3 l/min	2.2 l/min
35-150	35-70	0.1:1 - 20:1	270 bar	6.6 l/min	5.0 l/min	4.7 l/min	4.6 l/min
48-110	48-110	0.1:1 - 20:1	370 bar	6.6 l/min	4.1 l/min	3.6 l/min	3.4 l/min
75-150	75-150	0.1:1 - 10:1	530 bar	9.0 l/min	5.6 l/min	4.9 l/min	-
72-300	75-150	0.1:1 - 10:1	530 bar	13.5 l/min	10.1 l/min	9.5 l/min	-
72-300	72-300	0.1:1 - 10:1	530 bar	18.0 l/min	11.2 l/min	9.9 l/min	-

Mixing precision: $\pm 2\%$

Pump max. speed: 30 DS/min (recommended for continuous operation)

APPLICATION AREAS

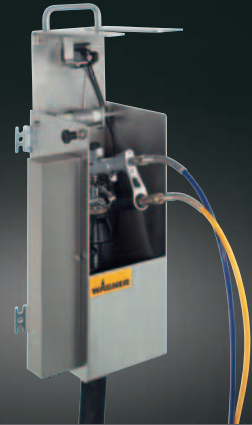
- Trucks, buses and other commercial vehicles
- Protective coatings
- Agriculture, construction and earth moving vehicles
- Metal industry
- Rail cars
- Wind turbines
- Wood industry
- Plastic industry

PROCESSABLE MATERIALS

- Low, medium and high viscosity materials
- Water- and solvent-based materials
- 2K epoxy lacquers and primers
- 2K PUR lacquers and primers
- 2K High Solids

Expertise in application

The WAGNER gun program optimally combines economical coating with high surface quality. We offer manual and automatic guns for the Airless, AirCoat and air atomization processes, with or without electrostatic support or high speed rotary atomizers.



Automatic Gun Flushing

Gun Flush Box

The Gun Flush Box enables the automatic flushing of manual guns, such as after the pot life has expired or when work is completed. It contributes to reducing flushing solvent consumption and ensures safe cleaning. The Gun Flush Box is an ideal solution in combination with the WAGNER TwinControl and FlexControl mixing and dosing systems.

Mixing for advanced users

Besides the entry level TwinControl units, WAGNER also offers a wide range of advanced mixing and dosing systems. The FlexControl family offers additional features such as automatic color changes, recipe storage, peripheral equipment interfaces, and low and high pressure applications with a very high mixing accuracy.



www.wagner-group.com

Further information on TwinControl and on a wide variety of accessories like air caps, nozzles and hoses can be found in the WAGNER liquid applications catalog.

