

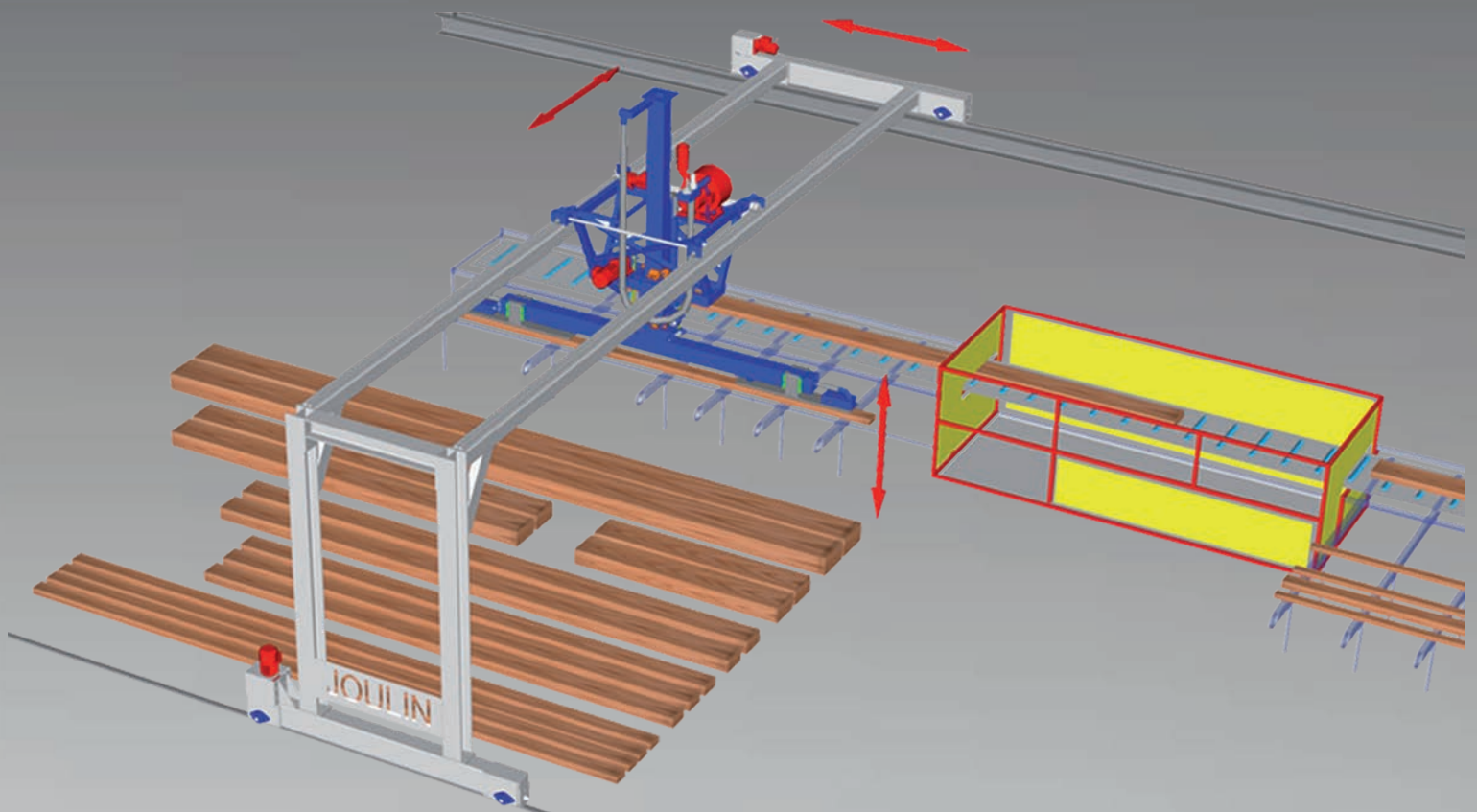


JOULIN AERO

VACUUM HANDLING SPECIALIST



LOADING / UNLOADING OF CNC FOR A WOOD APPLICATION



JOULIN AERO, a world leading specialist in vacuum handling systems for over 50 years, proposing innovative solutions for all your handling needs :

- Allows optimization of CNC for increased productivity and profitability.
- Handling full layers as well as individual parts to over 13m long if needed.
- No more laborious job of handling parts.

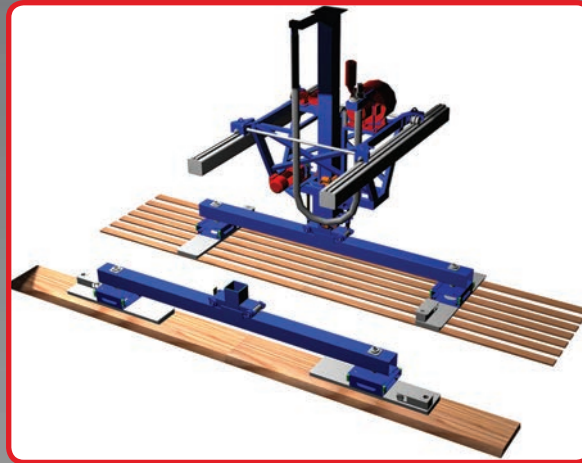


Tél. Europe : +33 (0)1 69 92 16 16 - Ph. USA : +(001) 828 327 2290

<http://www.joulin.com> - e.mail : joulin@joulin.com

Europe : 17 avenue des Grenots - F-91150 ETAMPES - Fax +33 (0)1 64 94 21 35

USA : 2551 Hwy 70 West - HICKORY - NC 28603 - Fax +(001) 828 327 8678



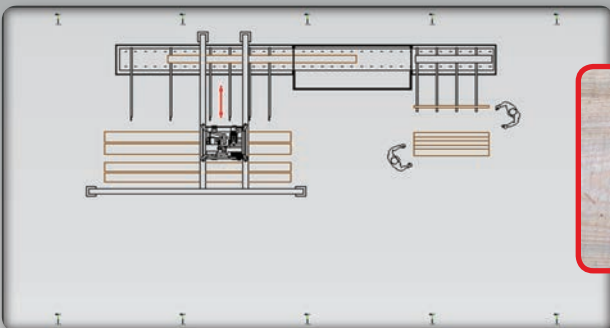
Handling of entire layers and/or single beams while rotating grippers 90°



Handling single boards



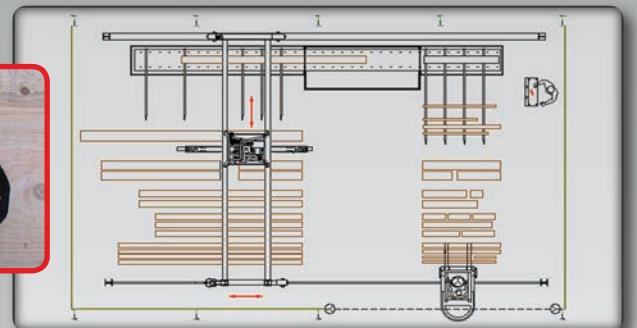
Handling whole layers



Example of a basic destacker to load a CNC



Example of remote radio control



Example of stacker/destacker to load/unload a CNC



Handling solutions tailored to your needs and budget, from the most simple to the most advanced.