

PAL

SCREENS



/VME / Superscreen / Multicross

- designed for perfect classification of dry/wet particles;
- 2 ÷ 5 fractions available;
- 1-2-4 stage screens;
- 1 ÷ 4 screening decks per stage;
- stainless steel sieves available also with auto-cleaning system.



/ Oscillating Screens Installation



OSCILLATING SCREENS

06.01

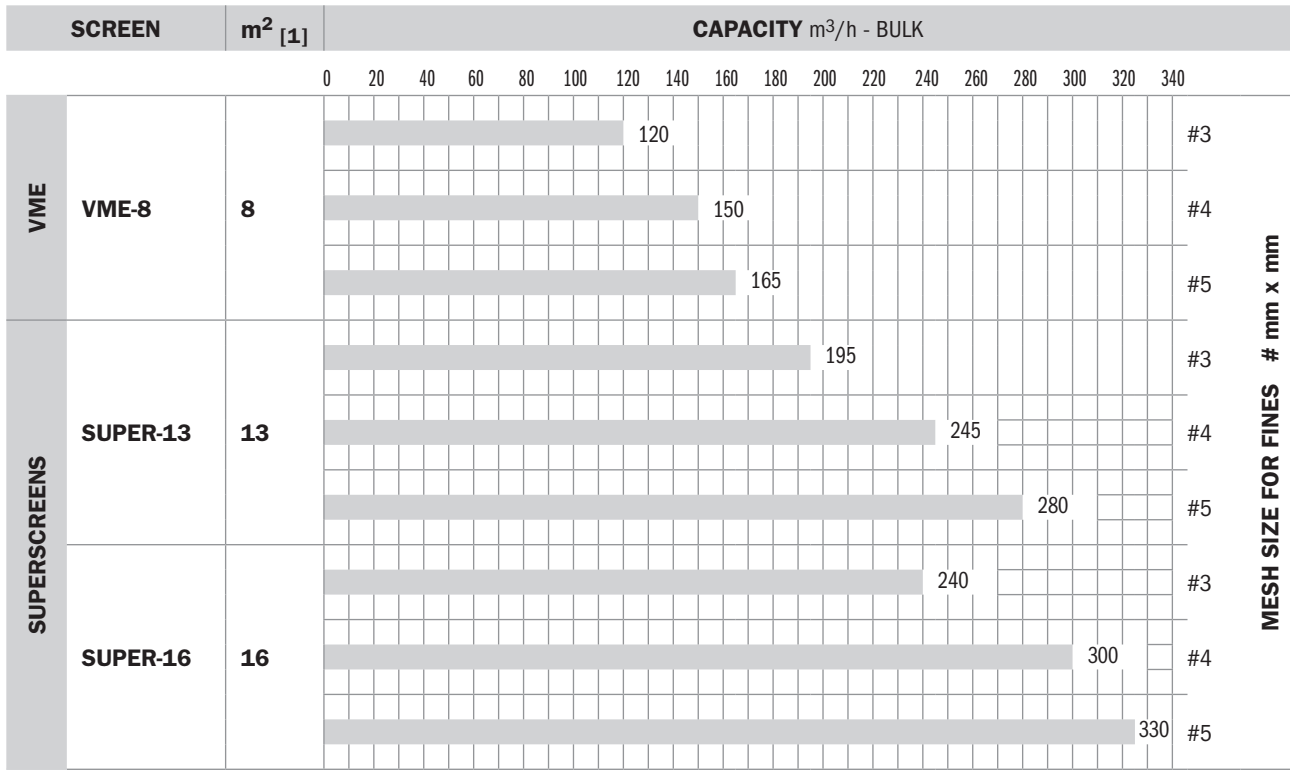
SCREENS

TECHNICAL FEATURES

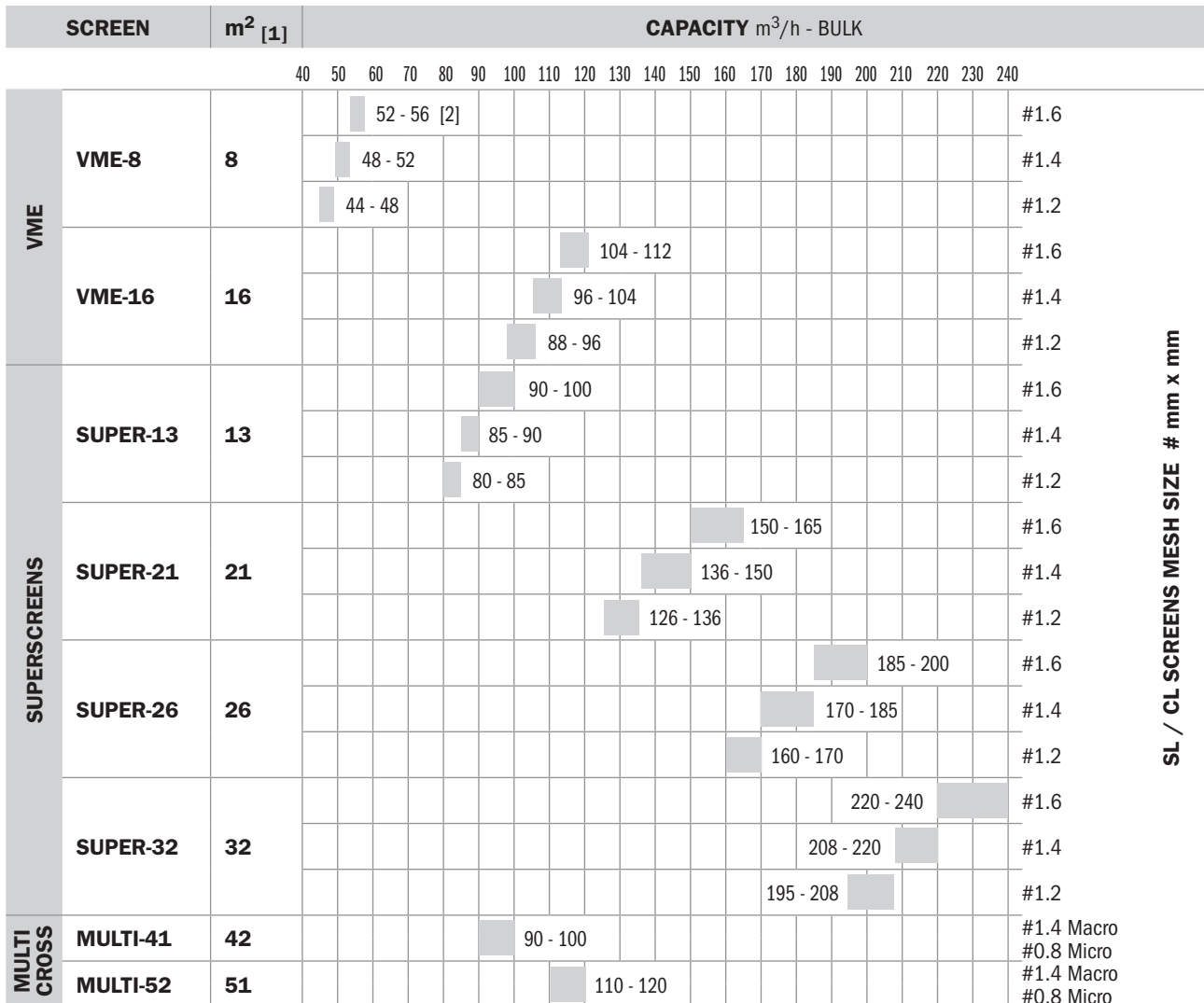
/ Robust and rigid supporting pyramids / High precision kinematics / Excellent elastic suspensions / High tech screening boxes assembled with high-quality materials and made with special tried and tested procedures / 1-2-4 Stage screens / 1-4 Screening decks per stage / 2-5 Fractions available / Stainless steel sieves and frames / Auto-cleaning system based on bouncing balls / Fire-extinguishing system / Explosion vents / Extensive eccentric oscillation / Perfect balancing!

BENEFITS

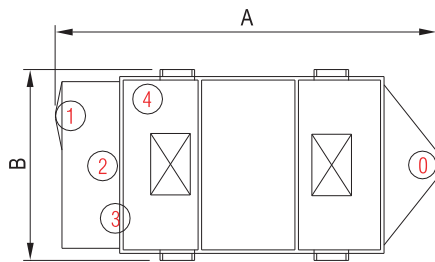
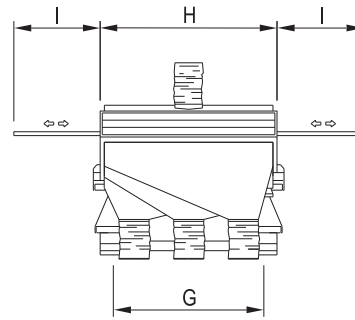
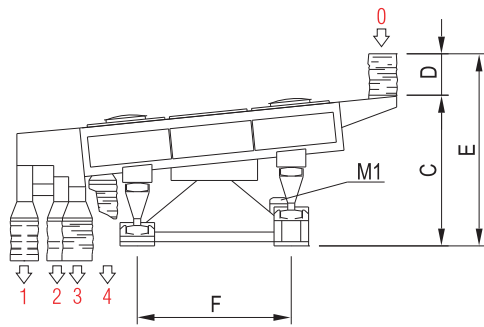
/ Perfect-absolute classification of any fraction / Quick and easy replacement of the screening frames / Unbeatable performance, efficiency and reliability / 24 months mechanical warranty!



MESH SIZE FOR FINES # mm x mm



SL / CL SCREENS MESH SIZE # mm x mm

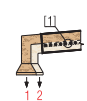


0= FEEDING
1...4= FRACTIONS

M1 = SCREENING
BOX MOVEMENT

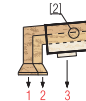
FOR DRY PARTICLES

1 Deck



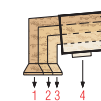
2 Fractions
VME-1P-8-EJ-...

2 Decks



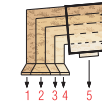
3 Fractions
VME-2P-8-EJ-...

3 Decks



4 Fractions
VME-3P-8-EJ-...

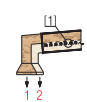
4 Decks



5 Fractions
VME-4P-8-EJ-...

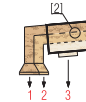
FOR CHIPS

1 Deck



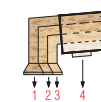
2 Fractions
VME-1P-8-EJ-...

2 Decks



3 Fractions
VME-2P-8-EJ-...

3 Decks



4 Fractions
VME-3P-8-EJ-...

[1] AC: Auto-cleaning ball-bouncing system for screens available for all decks.
[2] A wide range of mesh sizes are available for any screening needs.

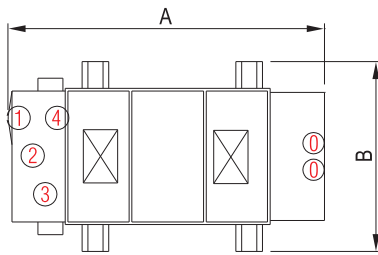
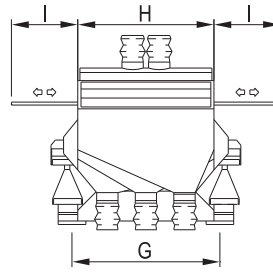
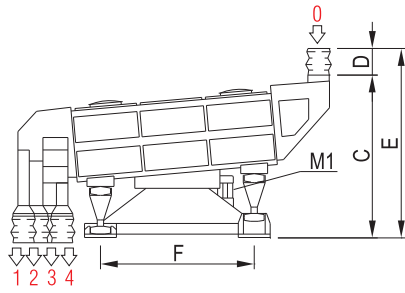
Not binding data. We reserve the right of modification at any time without prior notice.

06.01.A

VME-8

1-STAGE SCREENS - 8 m² EACH DECK

MODEL	OVERALL DIMENSIONS mm									INSTALLED POWER kW M1	WEIGHT APPROX KG
	A	B	C	D	E	F	G	H	I		
VME-1P-8-EJ	5105	2760	1990	600	2590	2230	2180	2560	1250	5,5	5000
VME-2P-8-EJ	5110	2760	2180	600	2780	2230	2180	2560	1250	5,5	5350
VME-2P-8-CHIPS-EJ	5240	2760	2120	600	2720	2230	2180	2560	1250	5,5	5350
VME-3P-8-EJ	5615	2760	2480	600	2080	2230	2180	2560	1250	5,5	6100
VME-4P-8-EJ	5565	2760	2496	600	3096	2230	2180	2560	1250	5,5	6150



FOR DRY PARTICLES

1 Double Deck



2 Fractions
VME-DP-1P-16-EJ-...

2 Double Decks



3 Fractions
VME-DP-2P-16-EJ-...

3 Double Decks



4 Fractions
VME-DP-3P-16-EJ-...

[1] AC: Auto-cleaning ball-bouncing system for screens available for all decks.
[2] A wide range of mesh sizes are available for any screening needs.

0= FEEDING
1...4= FRACTIONS

M1= SCREENING
BOX MOVEMENT

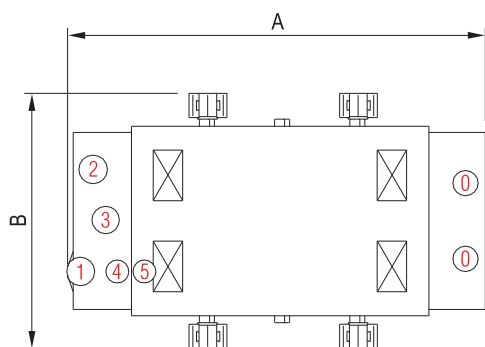
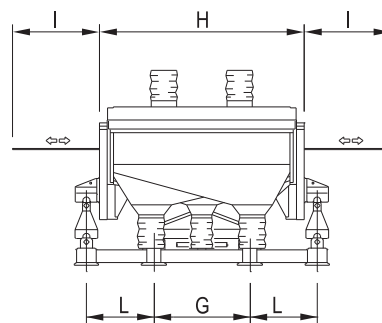
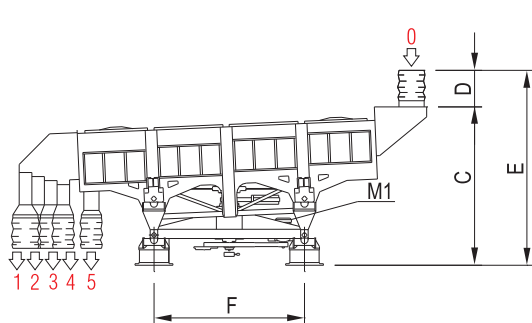
Not binding data. We reserve the right of modification at any time without prior notice.

06.01.A

VME-16

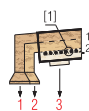
2-STAGE SCREENS - 16 m² EACH DOUBLE DECK

MODEL	OVERALL DIMENSIONS mm									INSTALLED POWER kW M1	WEIGHT APPROX KG
	A	B	C	D	E	F	G	H	I		
VME-DP-1P-16-EJ	5415	2760	2450	500	2950	2230	2180	2560	1250	5,5	6500
VME-DP-2P-16-EJ	5975	3570	2800	500	3300	2890	2780	2560	1250	7,5	10250
VME-DP-3P-16-EJ	5950	3570	3080	500	3580	2890	2780	2560	1250	7,5	11000



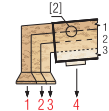
FOR DRY PARTICLES

2 Decks



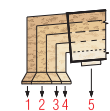
3 Fractions
SUPERSCREEN-2P-13-EJ-...

3 Decks



4 Fractions
SUPERSCREEN-3P-13-EJ-...

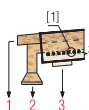
4 Decks



5 Fractions
SUPERSCREEN-4P-13-EJ-...

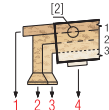
FOR CHIPS

2 Decks



3 Fractions
SUPERSCREEN-2P-13-EJ-...
SUPERSCREEN-2P-16-EJ-...

3 Decks



4 Fractions
SUPERSCREEN-3P-13-EJ-...
SUPERSCREEN-3P-16-EJ-...

0= FEEDING
1...5= FRACTIONS

M1= SCREENING
BOX MOVEMENT

[1] AC: Auto-cleaning ball-bouncing system for screens available for all decks.
[2] A wide range of mesh sizes are available for any screening needs.

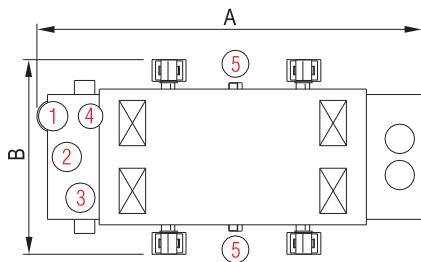
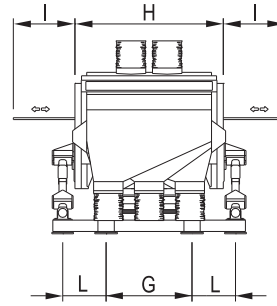
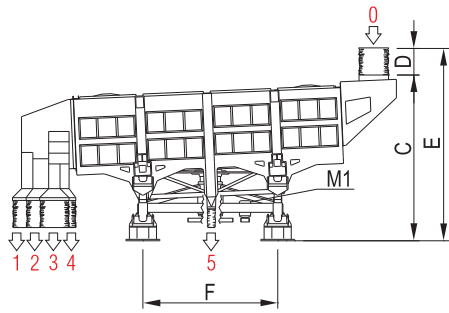
Not binding data. We reserve the right of modification at any time without prior notice.

06.01.B

SUPERSCREEN 13-16

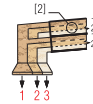
1-STAGE SCREENS - 13-16 m² EACH DECK

MODEL	OVERALL DIMENSIONS mm										INSTALLED POWER kW M1	WEIGHT APPROX KG
	A	B	C	D	E	F	G	H	I	L		
SUPERSCREEN 2P-13-EJ	7645	4300	3255	600	3855	2980	1900	3000	1500	960	11	13500
SUPERSCREEN 2P-13-CHIPS-EJ	7977	4300	3255	600	3855	2980	1900	3000	1500	960	11	13500
SUPERSCREEN 3P-13-EJ	8270	4300	3255	600	3855	2980	1900	3000	1500	960	11	14000
SUPERSCREEN 4P-13-EJ	8730	4300	3255	600	3855	2980	1900	3000	1500	960	11	14500
SUPERSCREEN 2P-16-EJ	7760	5050	3255	600	3855	2980	1900	3750	1875	1335	15	16000
SUPERSCREEN 2P-16-CHIPS-EJ	8200	5050	3255	600	3855	2980	1900	3750	1875	1335	15	16000
SUPERSCREEN 3P-16-EJ	7870	5050	3255	600	3855	2980	1900	3750	1875	1335	15	17200
SUPERSCREEN 4P-16-EJ	8195	5050	3255	600	3855	2980	1900	3750	1875	1335	15	17800



FOR DRY PARTICLES

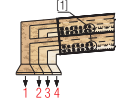
2 Double Decks



3 Fractions

- SUPERSCREEN-DP-2P-21-EJ-...
- SUPERSCREEN-DP-2P-26-EJ-...
- SUPERSCREEN-DP-2P-32-EJ-...

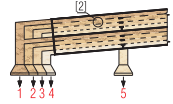
3 Double Decks



4 Fractions

- SUPERSCREEN-DP-3P-21-EJ-...
- SUPERSCREEN-DP-3P-26-EJ-...
- SUPERSCREEN-DP-3P-32-EJ-...

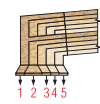
3 Double Decks



5 Fractions [option]

- SUPERSCREEN-DP-3P/5-21-EJ-...
- SUPERSCREEN-DP-3P/5-26-EJ-...
- SUPERSCREEN-DP-3P/5-32-EJ-...

4 Double Decks



5 Fractions

- SUPERSCREEN-DP-4P-26-EJ-...

0= FEEDING
1...5= FRACTIONS

M1= SCREENING
BOX MOVEMENT

[1] AC: Auto-cleaning ball-bouncing system for screens available for all decks.
[2] A wide range of mesh sizes are available for any screening needs.

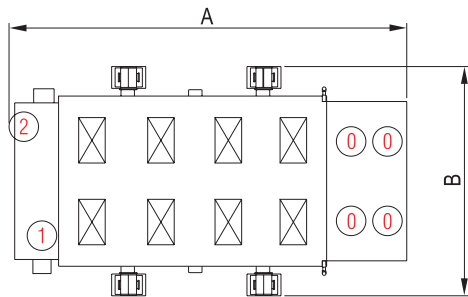
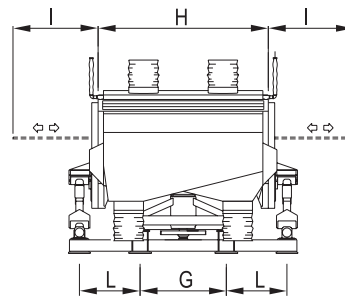
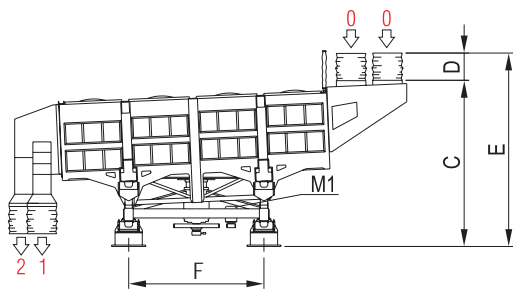
Not binding data. We reserve the right of modification at any time without prior notice.

06.01.B

SUPERSCREEN 21-26-32

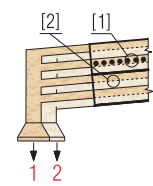
2-STAGE SCREENS - 21-26-32 m² EACH DOUBLE DECK

MODEL	OVERALL DIMENSIONS mm										INSTALLED POWER kW	WEIGHT APPROX KG
	A	B	C	D	E	F	G	H	I	L		
SUPERSCREEN DP-2P-21-EJ	8440	3860	3660	600	4260	2980	1900	2560	1250	740	11,0	15000
SUPERSCREEN DP-3P-21-EJ	8485	3860	3660	600	4260	2980	1900	2560	1250	740	11,0	15300
SUPERSCREEN DP-3P/5-21-EJ	8485	3860	3660	600	4260	2980	1900	2560	1250	740	11,0	15300
SUPERSCREEN DP-2P-26-EJ	8440	4300	3660	600	4260	2980	1900	3000	1500	960	15,0	16600
SUPERSCREEN DP-3P-26-EJ	8520	4300	3660	600	4260	2980	1900	3000	1500	960	15,0	17100
SUPERSCREEN DP-3P/5-26-EJ	8520	4300	3660	600	4260	2980	1900	3000	1500	960	15,0	17600
SUPERSCREEN DP-4P-26-EJ	8620	4300	3780	600	4380	2980	1900	3000	1500	960	15,0	17600
SUPERSCREEN DP-2P-32-EJ	8450	5050	3660	600	4260	2980	1900	3750	1875	1335	18,5	17400
SUPERSCREEN DP-3P-32-EJ	8640	5050	3660	600	4260	2980	1900	3750	1875	1335	18,5	18000
SUPERSCREEN DP-3P/5-32-EJ	8640	5050	3660	600	4260	2980	1900	3750	1875	1335	18,5	18000



FOR DRY PARTICLES

1 Quadruple deck



2 Fractions

SUPERSCREEN-DP/2-1P-64-EJ-...

0= FEEDING
1...2= FRACTIONS

M1= SCREENING
BOX MOVEMENT

[1] AC: Auto-cleaning ball-bouncing system for screens available for all decks.
[2] A wide range of mesh sizes are available for any screening needs.

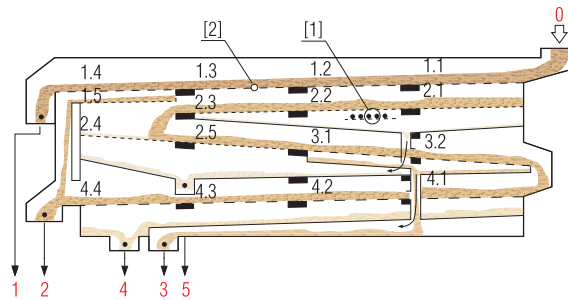
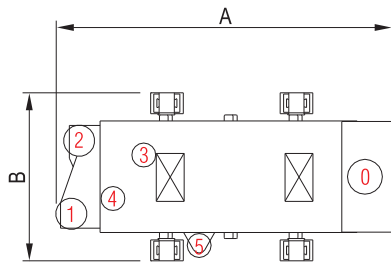
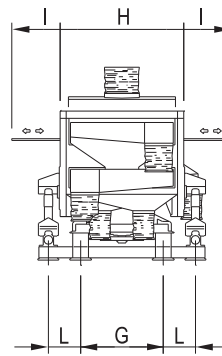
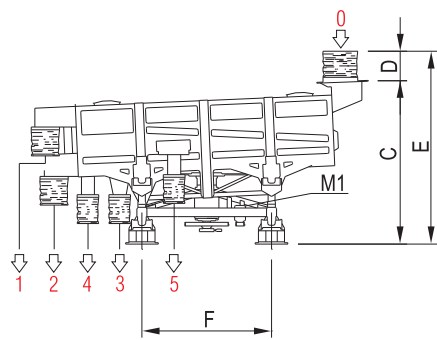
Not binding data. We reserve the right of modification at any time without prior notice.

03.01.A

SUPERSCREEN 42-52-64

4-STAGE SCREENS - 42-52-64 m² EACH QUADRUPLE DECK

MODEL	OVERALL DIMENSIONS mm										INSTALLED POWER kW	WEIGHT APPROX KG
	A	B	C	D	E	F	G	H	I	L		
SUPERSCREEN DP/2-1P-42-EJ	8610	3860	3660	600	4360	2980	1900	2560	1250	740	11,0	15700
SUPERSCREEN DP/2-1P-52-EJ	8610	4300	3660	600	4360	2980	1900	3000	1500	960	15,0	17600
SUPERSCREEN DP/2-1P-64-EJ	8760	5050	3660	600	4360	2980	1900	3750	1875	1335	18,5	17800



0= FEEDING
1...5= FRACTIONS

M1 = SCREENING
BOX MOVEMENT

[1] AC: Auto-cleaning ball-bouncing system for screens available for all decks.
[2] A wide range of mesh sizes are available for any screening needs.

Not binding data. We reserve the right of modification at any time without prior notice.

06.01.C

MULTICROSS 41-52

ZIG-ZAG SCREENS - 41-52 m² SCREENING SURFACE

MODEL	OVERALL DIMENSIONS mm										INSTALLED POWER kW	WEIGHT APPROX KG
	A	B	C	D	E	F	G	H	I	L		
MULTICROSS 41-EJ	7730	3860	3830	600	4430	2980	1900	2560	1250	740	11	16600
MULTICROSS 52-EJ	7850	4300	3830	600	4430	3980	1900	3000	1500	960	15	17700