

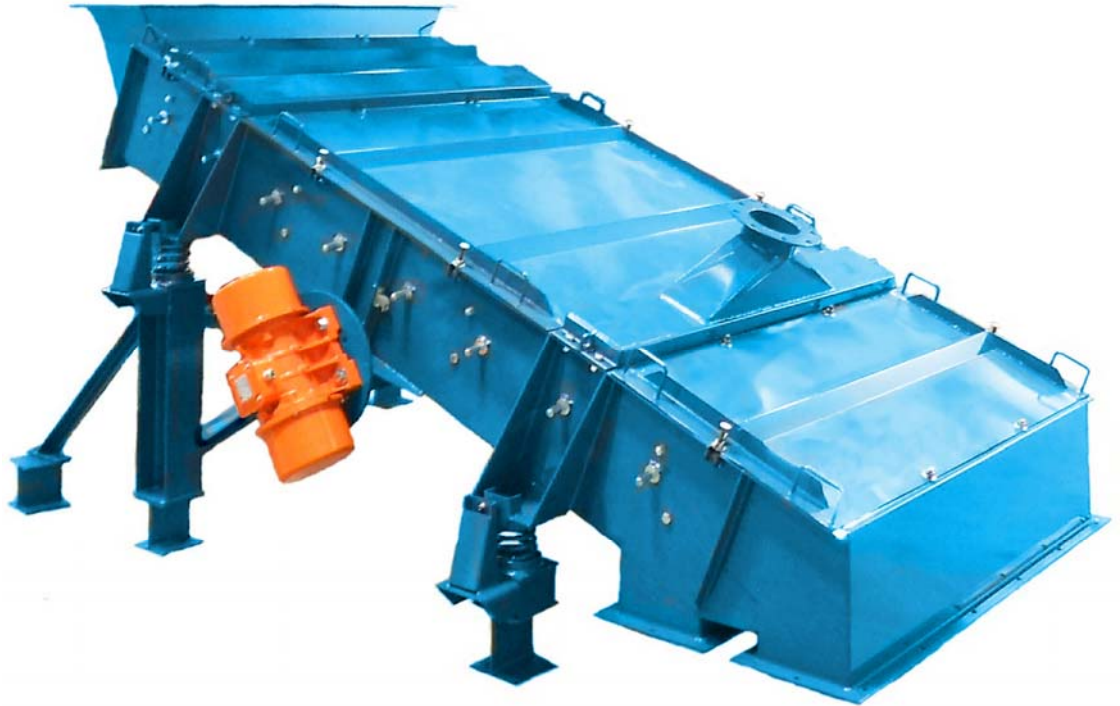


J&H Equipment, Inc. Vector Screening Your Scalping Solution

J&H VECTOR DRIVE SCREENING MACHINE

FEATURES:

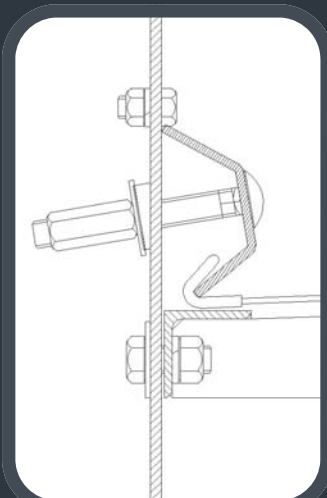
- In sizes 3'x5' to 5'x8'
- Totally enclosed, dust free
- Adjustable rotary vibrators
- Extremely quiet
- Easy access, top covers totally removable
- Proven side tension design enabling use of standard wire cloth hook strips



The J&H Vector Drive Screen is an ideal solution for your scalping needs. Efficient proven drive system and its simplistic and robust design propel the vector drive as an industry leader.

Drive energy is generated by unbalanced vibrators with variable weights for controlled amplitude adjustment of the machines dynamic linear action.

This combination of unique features offers unparalleled screening efficiency, productivity, and durability for your 30 to 100mm scalping requirements.



J&H Equipment Inc. • 140 Sunshine Way • Alpharetta, GA 30005 •
(770) 992-1606 • Fax (770) 992-1983
Web Site: www.jhequipment.com

