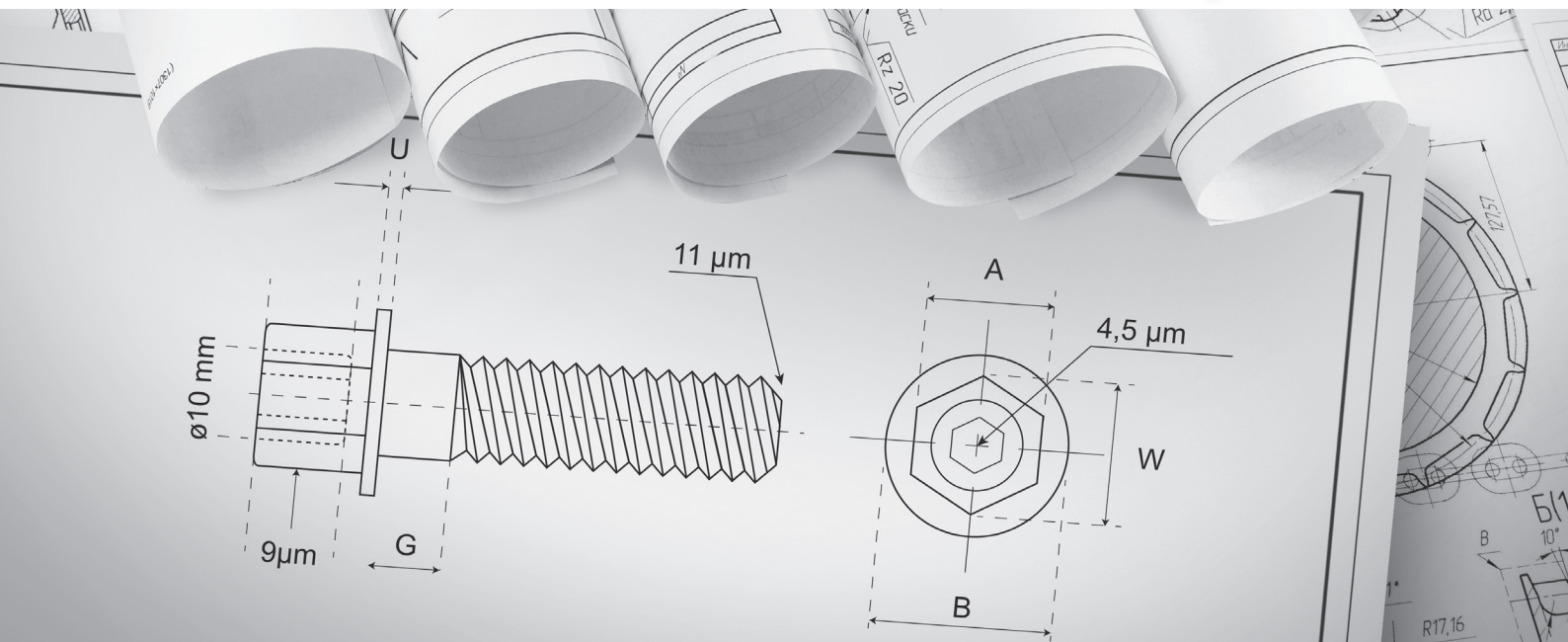


GLOVEL 800 ATOMA

ZN/NI
ALKALINE
PROCESS



- ▶ CONSTANT HIGH EFFICIENCY OVER TIME
- ▶ EXTREMELY LIMITED PRODUCTS DECOMPOSITION
- ▶ OUTSTANDING ALLOY DISTRIBUTION
- ▶ EXCELLENT DUCTILITY
- ▶ STABLE NICKEL CONTENT IN THE COATING AT ALL CURRENT DENSITIES
- ▶ EASY TO HANDLE PROCESS, JUST 3 ADDITIVES



GLOMAX IS ENGAGED IN RESEARCH,
FOR AN ENVIRONMENTALLY FRIENDLY CHEMISTRY

GLOMAX S.R.L. Via Del Commercio, 46 - 20882, Bellusco (MB) Tel.: +39 039 6020101
glomax@glomax.it - www.glomax.it



CHEMICAL PERFORMANCE